

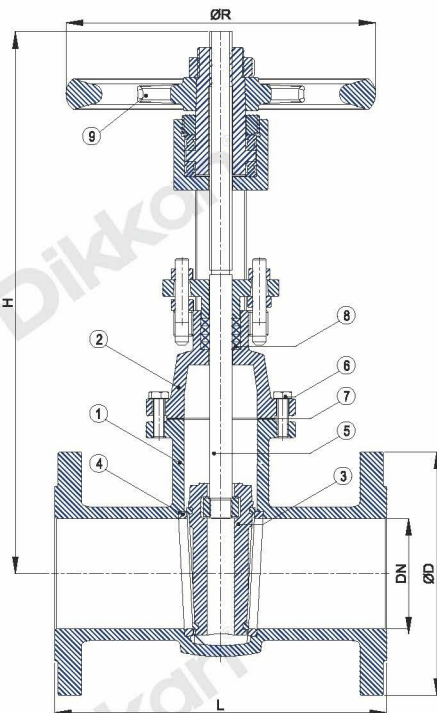
Ductile Iron

Bronze Trim

NR Handwheel



Dikkan figure 25.356



Dikkan figure options

- 25.357.DP Drain plug
- 25.357.DT Double threaded stem
- 25R.357 Rising handwheel

Technical features

Standard	DIN EN 1171 (DIN 3352 T3)
Face to face	EN 558 Series 15 (DIN 3202 F5)
Flange dimension	DIN Flanges acc. to EN 1092-2/B (DIN 2501)
Options	Double threaded stem, drain plug, gearbox, actuator extension spindle, rising handwheel
Flange Options	Special flange drilling acc. to ANSI or JIS, flat faced flanges

- Ductile Iron Dikkan gate valves with bronze seats, raised faced flanges acc. to DIN, long face to face bolted bonnet and with grease nipple. **Outside screwed stem and yoke, rising stem and non rising handwheel.** **Low operation torque, due to bearing support.**

- Application: Cold and hot fresh water, seawater.

Pressure & temperature ranges

Bore	Pressure rating	Working pressure [bar]		Hydro test pressure [bar]	
		120 °C	Casing	Closure	
DN 40 - DN 1500	PN16	16	24	17.6	

Material specifications

Part No.	Component	Material			
1	Body	EN-GJS400-18-LT	EN-JS 1025	GGG40.3	
2	Bonnet	EN-GJS400-18-LT	EN-JS 1025	GGG40.3	
3	Wedge	EN-GJS400-18-LT	EN-JS 1025	GGG40.3	
4	Seats	CuSn5Zn5Pb5-C	CC491K	RG5	
5	Stem	X5CrNiMo17-12-2	1.4401	A4	
6	Bolts, nuts	AISI316	AISI316	AISI316	
7	Bonnet gasket	Asbestos-free	Asbestos-free	Asbestos-free	
8	Gland packing	PTFE	PTFE	PTFE	
9	Handwheel	EN-GJL250	EN-JL 1040	GG25	

Dimensions & ordering codes

DN [mm]	Flange Connection	ØD [mm]	L [mm]	H [mm]	ØR [mm]	Weight [kg]	Dikkan ordering code
40	PN16	150	240	410	225	19	D0025356XXPPP18400400000
50	PN16	165	205	470	225	20	D0025356XXPPP18400500000
65	PN16	185	270	560	280	28	D0025356XXPPP18400650000
80	PN16	200	280	580	280	34	D0025356XXPPP18400800000
100	PN16	220	300	690	320	42	D0025356XXPPP18401000000
125	PN16	250	325	790	360	58	D0025356XXPPP18401250000
150	PN16	285	350	895	360	73	D0025356XXPPP18401500000
200	PN16	340	400	1030	400	120	D0025356XXPPP18402000000
250	PN16	405	450	1220	500	180	D0025356XXPPP18402500000
300	PN16	460	500	1405	500	260	D0025356XXPPP18403000000
350	PN16	520	550	1595	500	350	D0025356XXPPP18403500000
400	PN16	580	600	1810	640	460	D0025356XXPPP18404000000
450	PN16	640	650	2000	640	625	D0025356XXPPP18404500000
500	PN16	715	700	2195	720	845	D0025356XXPPP18405000000
600	PN16	840	800	2575	720	1170	D0025356XXPPP18406000000
700	PN16	910	900	3000	720	1480	D0025356XXPPP18407000000
800	PN16	1025	1000	3345	800	2500	D0025356XXPPP18408000000
900	PN16	1125	1100	3740	800	3700	D0025356XXPPP18409000000
1000	PN16	1255	1200	4075	800	4500	D0025356XXPPP18410000000
1500	PN16	1785	1700	6200	1200	8700	D0025356XXPPP18315000000